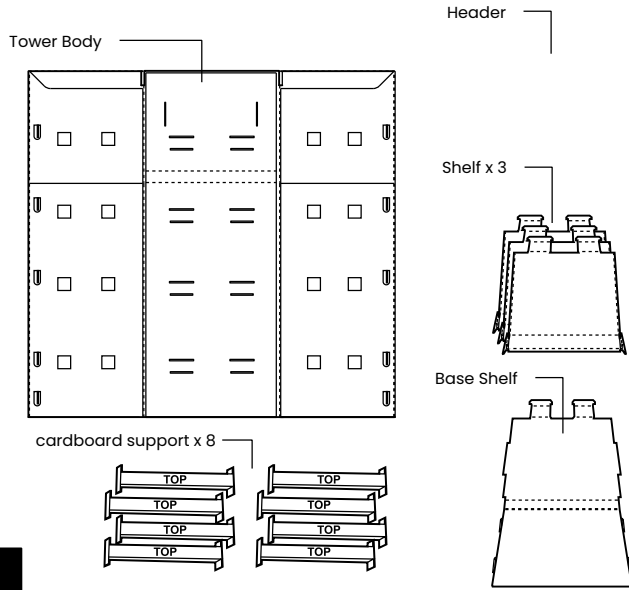


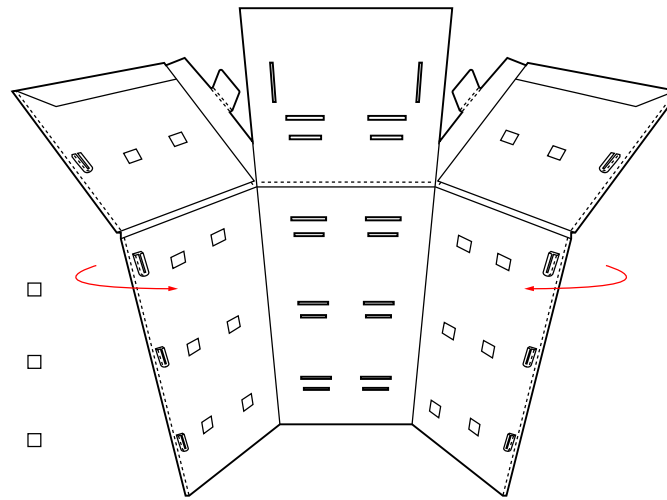
2499-Simplot

Large Tower - Cardboard Support - ASSEMBLY INSTRUCTIONS

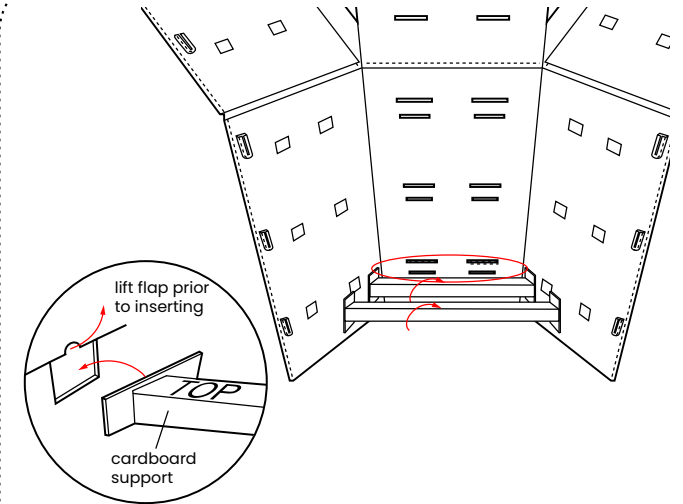
retail logic
Instore Presence Solutions



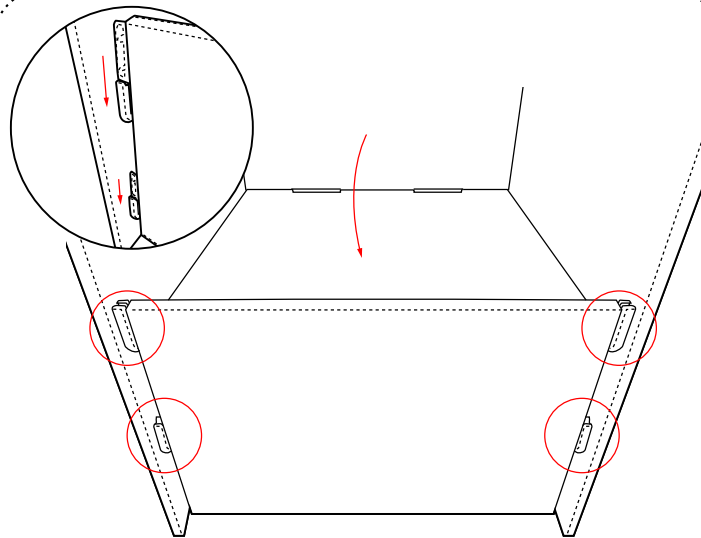
1 Open the box and check that all parts shown are included.



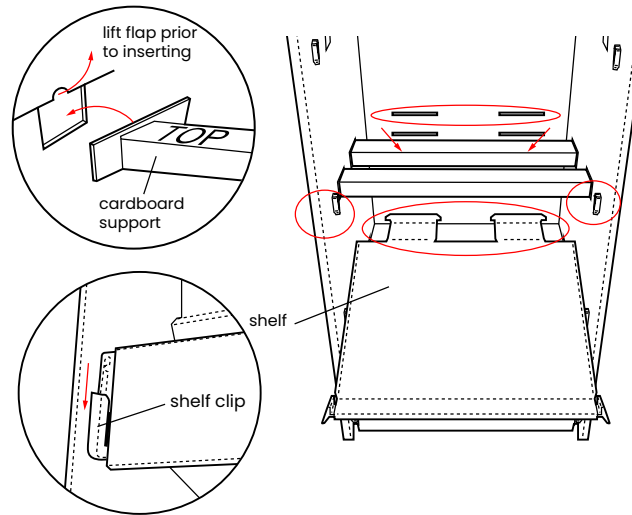
2 Place the tower upright and bring the sides towards the center.



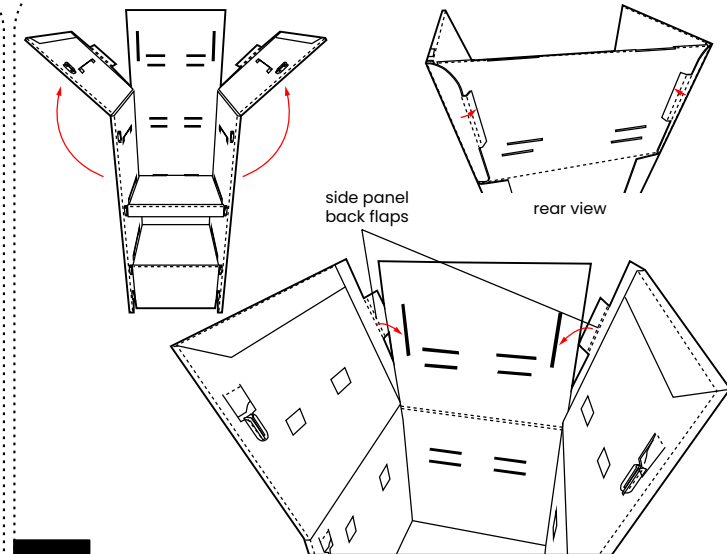
3 Place 2 cardboard supports into its corresponding slots for the base shelf. Locate the base shelf and insert the rear flaps into the upper slots in the back panel.



4 Fold the base shelf forward over the support. Ensure that the shelf clips engage with the clips on the sides.



5 Place 2 cardboard supports into its corresponding slots for the 3rd shelf. Locate the 3rd shelf and insert the rear flaps into the upper slots in the back panel. Ensure that the shelf clips engage with the clips on the sides.

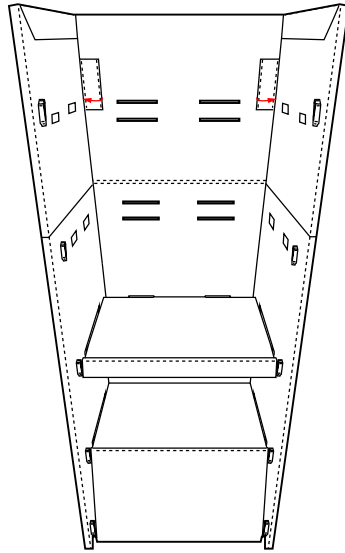
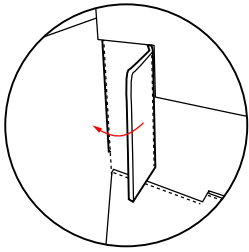


6 Bring the upper portion of the side panels upwards. Fold the back flaps on the side panels into the slots located on the back panel.

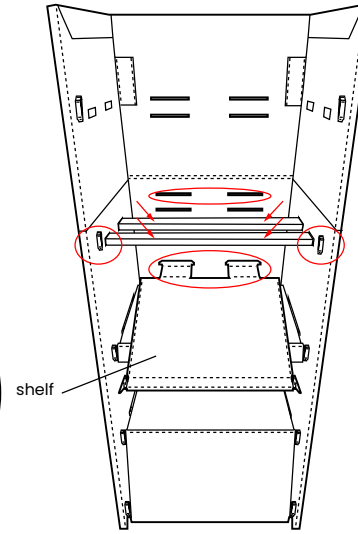
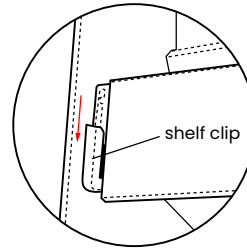
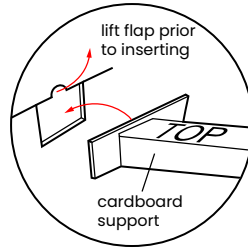
2499-Simplot

Large Tower – Cardboard Support – ASSEMBLY INSTRUCTIONS

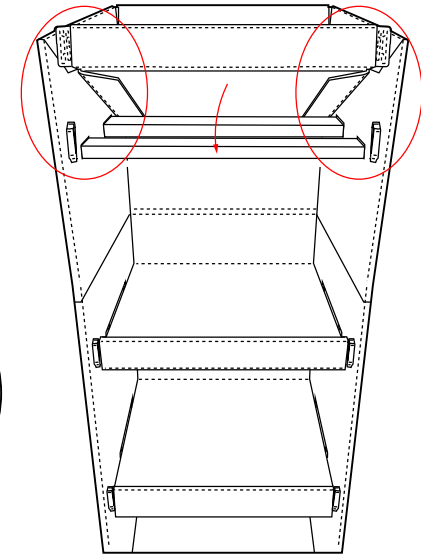
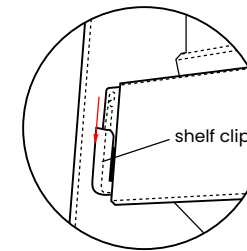
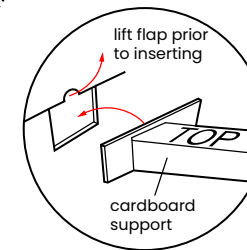
retail logic
Instore Presence Solutions



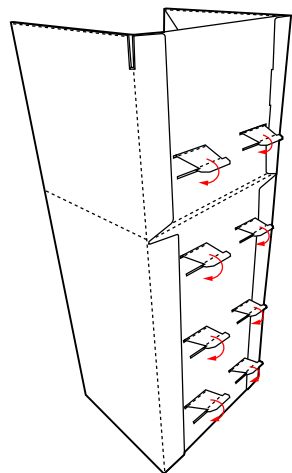
7 Fold the back flaps twice into the tower body slots to lock into position.



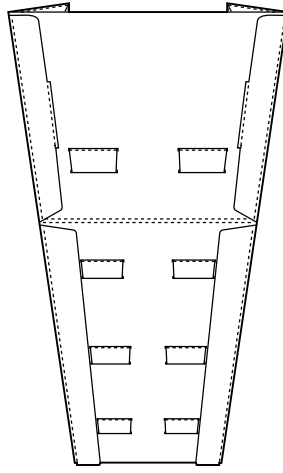
8 Place 2 cardboard supports into its corresponding slots on the 2nd shelf. Locate the 2nd shelf and insert the rear flaps into the upper slots in the back panel. Ensure that the shelf clips engage with the slots on the clips.



9 Repeat step 8 for the top shelf.

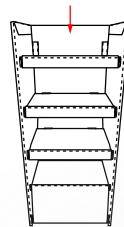


rear view

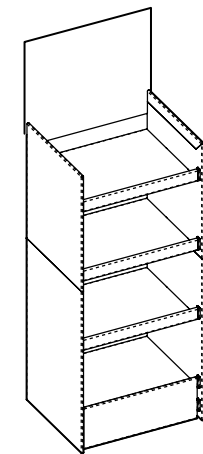


rear view

10 Fold the back flaps of the top 2 shelves twice into the lower slot on the back panel to lock the shelves into position.



11 Locate the header and place it on top of the tower body. Ensure that its bottom tab slides inside the body side panels. Assembly finished. Fill the display as per planogram.



12 Recycle the remaining tower in the cardboard compactor.