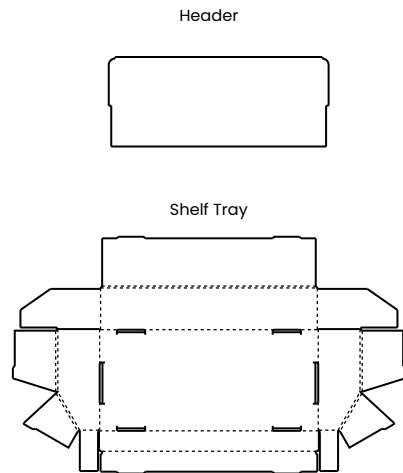


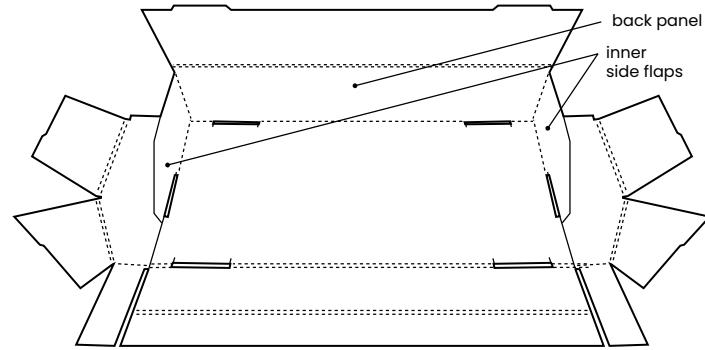
2499-Simplot

Providore - POS Meat Topper-Double sided - ASSEMBLY INSTRUCTIONS

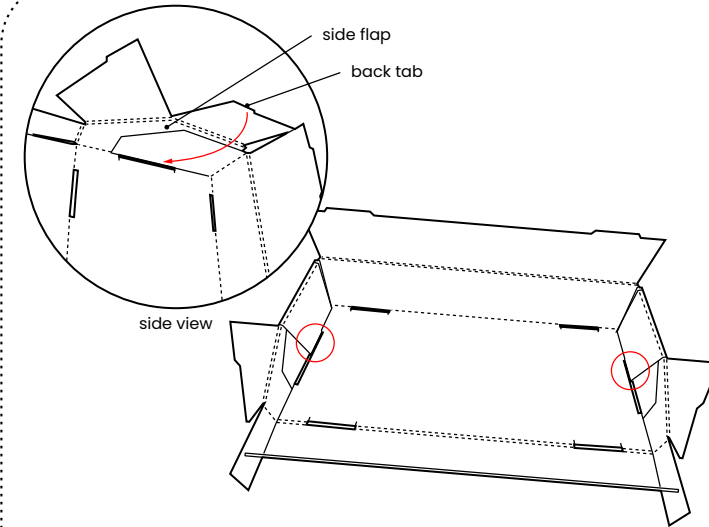
retail logic
Instore Presence Solutions



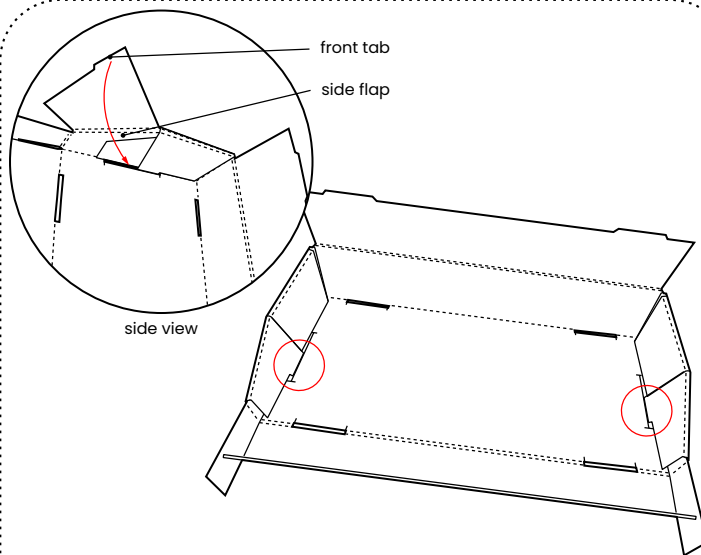
1 Open the box and check that all parts shown are included.



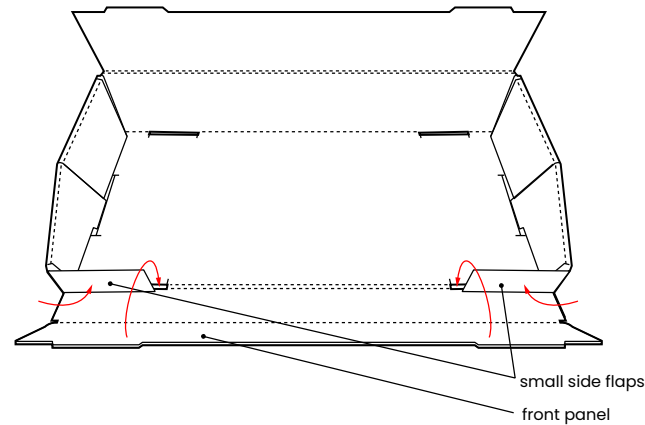
2 Lay the shelf tray on its back and fold the back panel upwards to bring its inner side flaps toward the center.



3 Following the creases, fold the side flaps against the inner side flaps. Ensure to engage the back tabs with the slots on the base of the shelf tray. Repeat for both sides.



4 Ensure to engage the front tabs of the side flaps with the slots on the base of the shelf tray. Repeat for both sides.



5 Ensure that both the small side flaps folds inwards. Then, fold the front panel twice towards the center to engage its tabs with the slots on the base of the shelf tray.



6 Select a side of the header. Place it on top of the shelf tray. Ensure that the bottom slots slides inside the shelf tray body. Assembly finished. Fill the display as per planogram.